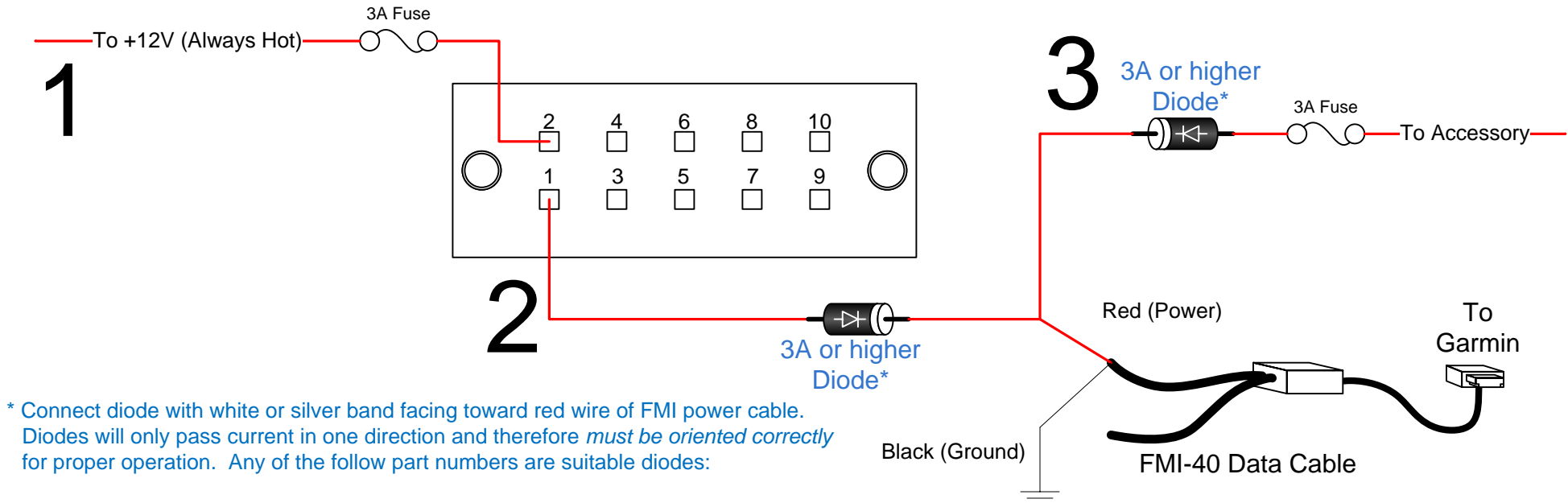


Instructions: **1)** Connect Pin 2 to a constant hot source (+12V at all times) via a 3A fuse. This will provide the power source for the Garmin navigation unit when the L-5500 detects an active ignition line, or when a message is received. **2)** Connect Pin 1 to the red lead of the Garmin FMI-40 or FMI-10 cable via a 3A or greater diode. **3)** Connect an additional 3A diode between the vehicle's accessory or ignition line and the FMI cable.



* Connect diode with white or silver band facing toward red wire of FMI power cable. Diodes will only pass current in one direction and therefore *must be oriented correctly* for proper operation. Any of the follow part numbers are suitable diodes:

- Radio Shack P/N: 1N5402, 1N5404
- AutoZone P/N: 80111

In the above configuration, the Garmin navigation device will be powered on when the ignition line becomes active, or when a message is received should the ignition be turned off. The Garmin device will be powered off whenever the ignition line is deactivated.

WARNING: Logic Data Systems recommends installation by a professional two-way radio technician to avoid costly damage to your vehicle and/or equipment. Logic Data Systems not responsible for damage to equipment or vehicles resulting from incorrect installation.