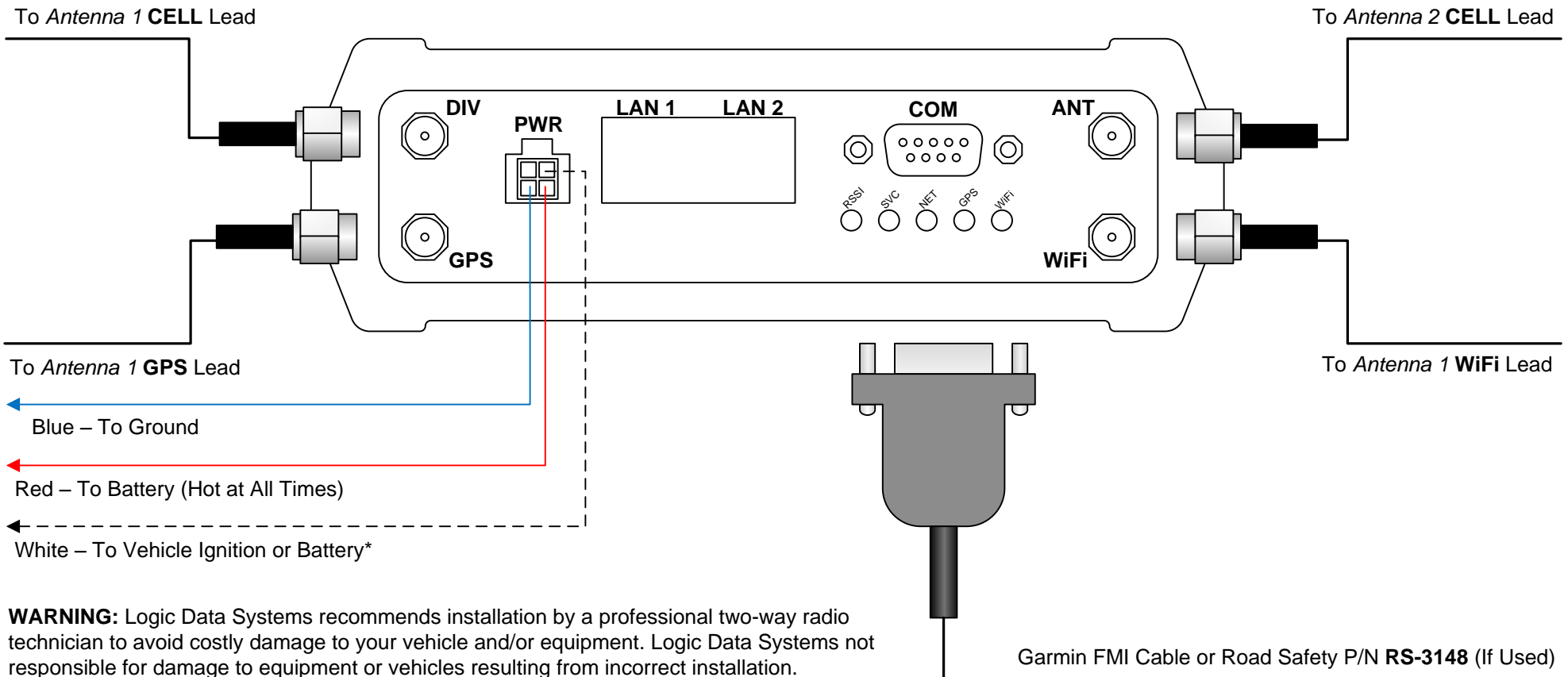


**Power Considerations:** The ignition line (white wire) is used to determine when the L-5500 should be powered on or off. When the modem is powered up and the ignition line goes low, the modem may either remain on, or shutdown after a predefined interval as set via the web user interface. *When the modem is powered off, it will not boot until the ignition line goes high (even if the red wire is hot).*

\* The ignition (white) wire may be connected directly to the battery to ensure the modem remains powered on at all times.



**WARNING:** Logic Data Systems recommends installation by a professional two-way radio technician to avoid costly damage to your vehicle and/or equipment. Logic Data Systems not responsible for damage to equipment or vehicles resulting from incorrect installation.